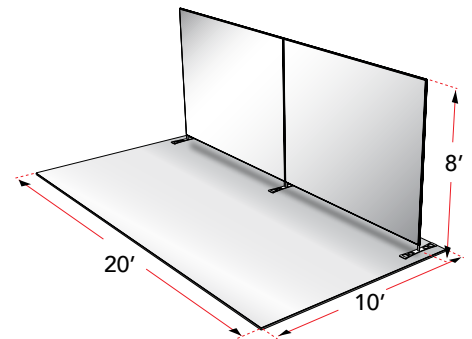


# 20<sup>FT</sup> FABLite - Flat

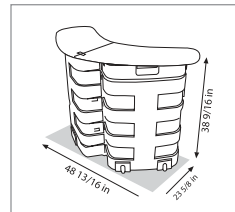
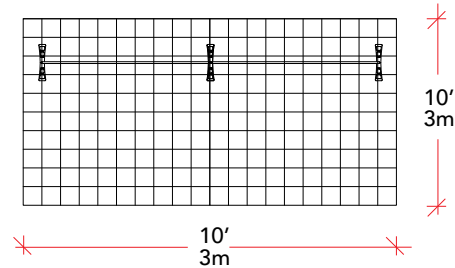
## REFERENCE GUIDE



ELEVATION



FLOOR PLAN



Big and bold, FabLite is also our most affordable 20' portable trade show display. Simply clamp two 10' FabLite displays together side-by-side. With the flat frame completely encased, your audience can focus on your brand's message. Custom-tailored to fit and provide a smooth finish, each graphic pillowcase is printed on the front side and features black fabric on the back for opacity. In addition, you also have the option to print double-sided as well. Plus our dye sub fabric graphics are wrinkle-resistant, durable, and washable.

**Size:**

2' D x 20' W x 8' H

**Approximate Weights:**

Max Loaded: 150 lb  
DIM: 145 lb

**Casing:**

1 - RollOne Case - 42"x 26"x 22"

**Setup Instructions:**

- Setup Guide (pdf)
- Setup Video

## CUSTOM MODULAR DISPLAYS