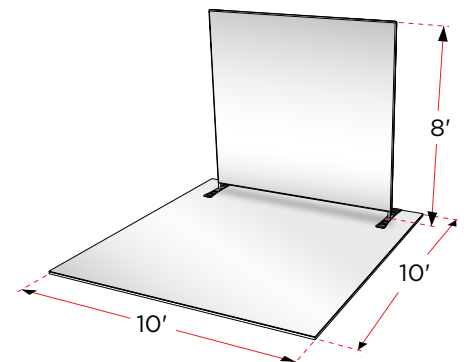


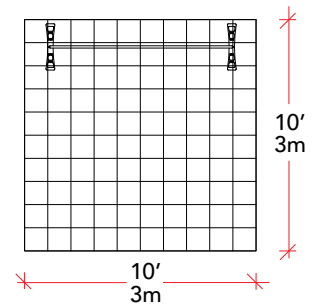


AB2060N

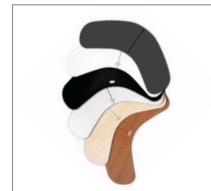
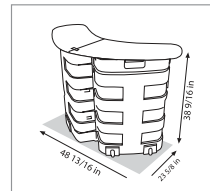
ELEVATION



FLOOR PLAN



Expand your exhibit with additional display accessories and features



FabLite provides affordable portable fabric display solutions with attention-getting style. Offering add-on flexibility that is easily repositioned, rotated and upgraded. From hanging structures to multi-layered displays, FabLite is the perfect solution to your company's brand. FabLite tube frames are so sturdy we back them for a lifetime of use against manufacturing and materials defects.

Size:

1' D x 4.6' W x 8' H

Approximate Weights:

Max Loaded: 73 lb

DIM: 55 lb

Casing:

1 - RollOne Case - 41.75" x 16" x 16"

Setup Instructions:

- Setup Guide (pdf)
- Setup Video

CUSTOM MODULAR DISPLAYS