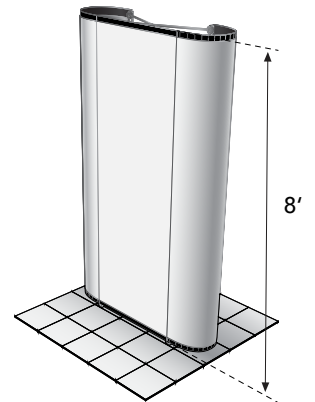


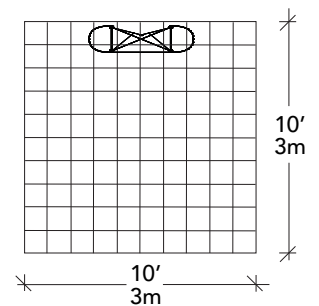
**\*Note** All Instand pop-up displays can come with or without endcaps

### AB0509N

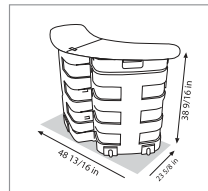
#### ELEVATION



#### FLOOR PLAN



*Expand your exhibit with additional display accessories and features*



Exhibitors continue to seek ways to extend their reach without denting their wallet. So power up your trade show display with this affordable 5' Kiosk pop-up display. You'll love it because of its easy tool free set-up, vibrant trade show graphics and premium halogen trade show lighting.

#### Size:

1.1' D x 4.6' W x 8' H

#### Approximate Weights:

Max Loaded: 73 lb

DIM: 55 lb

#### Casing:

1 - RollOne Case - 41.75" x 16" x 16"

#### Setup Instructions:

- Setup Guide (pdf)
- Setup Video

## CUSTOM MODULAR DISPLAYS