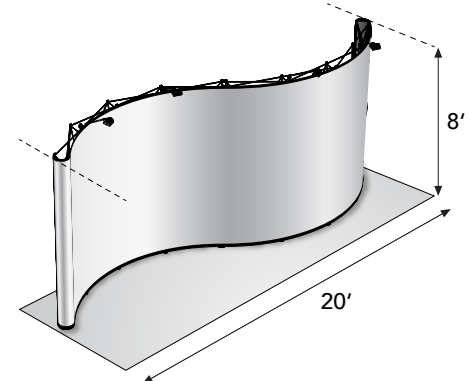


20' INSTAND - *Serpentine*

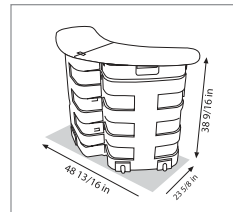
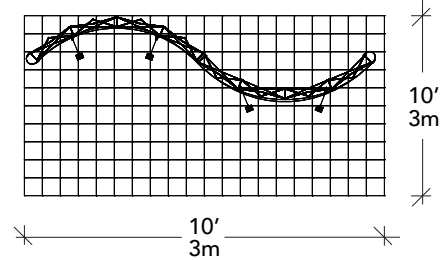
REFERENCE GUIDE



ELEVATION



FLOOR PLAN



The 20' Instand® is a budget boosting solution that will save you time and money on: storage, transportation, drayage and set-up. Backed by the industry's best "No Questions Asked" Lifetime Warranty, Instand frames integrate with other Nomadic systems to form distinctive selling environments. Use Instand as a stand alone trade show display or connect it to other Instand frames, Platinum laminate panels or aluminum extrusions. No other custom portable offers you as much display versatility.

Size:

4.2' D x 20' W x 7.9' H
Approximate Weights:
Max Loaded: 300 lb
DIM: 290 lb

Casing:

2 - RollOne Case - 42"x 26"x 22"

Setup Instructions:

- Setup Guide (pdf)
- Setup Video

CUSTOM MODULAR DISPLAYS