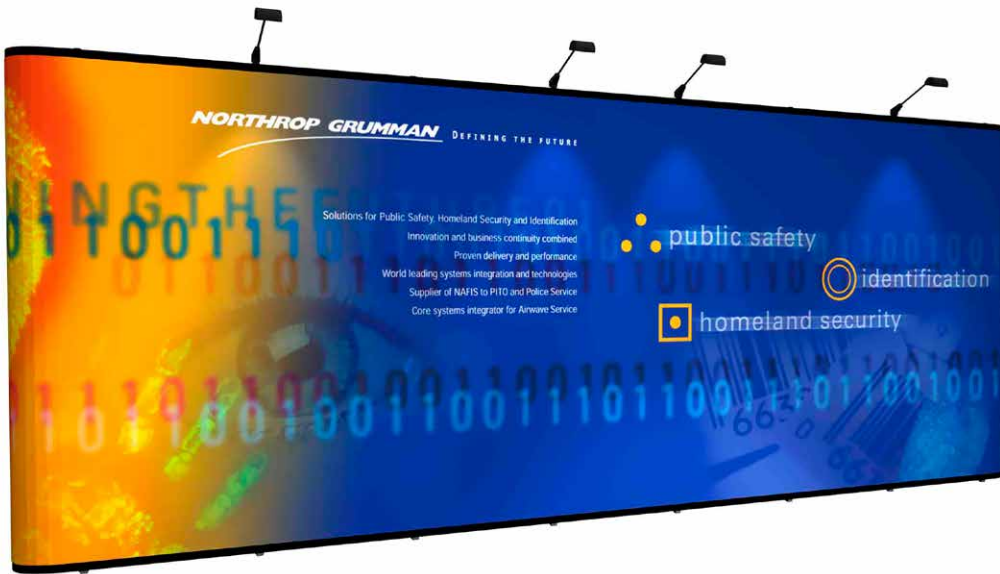
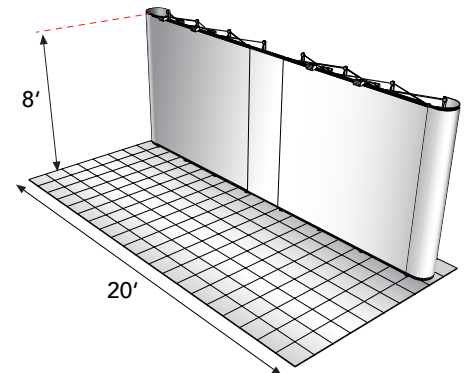


# 20' INSTAND - Flat

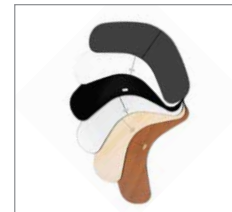
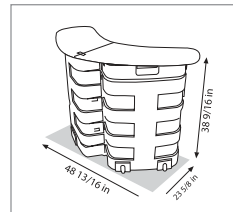
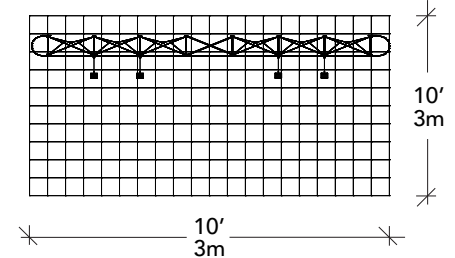
## REFERENCE GUIDE



### ELEVATION



### FLOOR PLAN



The 20' Instand® is a budget boosting solution that will save you time and money on: storage, transportation, drayage and set-up. Backed by the industry's best "No Questions Asked" Lifetime Warranty, Instand frames integrate with other Nomadic systems to form distinctive selling environments. Use Instand as a stand alone trade show display or connect it to other Instand frames, Platinum laminate panels or aluminum extrusions. No other custom portable offers you as much display versatility.

#### Size:

1' D x 20' W x 7.9' H  
Approximate Weights:  
Max Loaded: 300 lb  
DIM: 290 lb

#### Casing:

2 - RollOne Case - 42"x 26"x 22"

#### Setup Instructions:

- Setup Guide (pdf)
- Setup Video

## CUSTOM MODULAR DISPLAYS