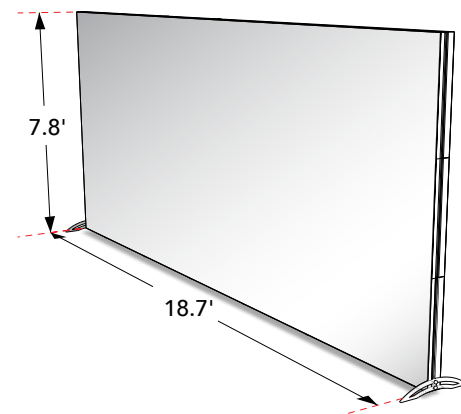
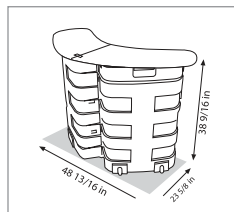
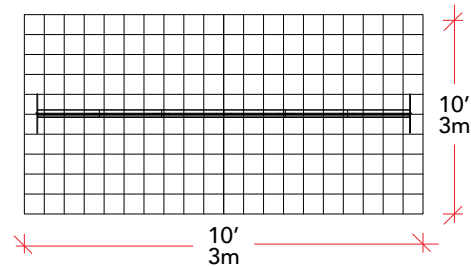




ELEVATION



FLOOR PLAN



Stand out from the crowd with an astonishing LightWall backlit display that will enchant, engage and energize your audience. This display combines seamless edge-to-edge imagery with true white LED lights for maximum graphic impact. The fabric graphic panels are lightweight, compact, durable, machine washable and custom-tailored to produce a wrinkle-free fit and finish. Bright white LED lights save energy and last up to 10,000 hours.

Amazingly, this tool free 20' LightWall backlit display packs into just one RollOne Case and backed by the industry's best lifetime warranty.

Size:

2' D x 18.7' W x 7.8' H

Approximate Weights:

Actual: 125 lb
 Max Loaded: 150 lb
 DIM: 145 lb

Casing:

1 - RollOne Case - 42"x 26"x 22"

Setup Instructions:

- Setup Guide (pdf)
- Setup Video

CUSTOM MODULAR DISPLAYS