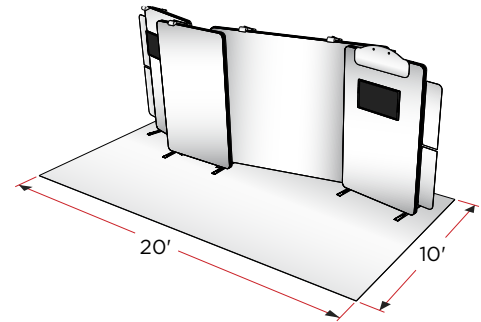




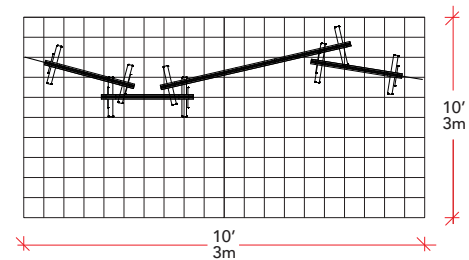
*Also available with all Envision displays:
TV Mounts; Placards and Square Corners.

DL51542N

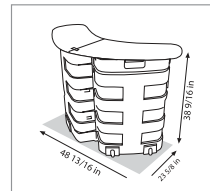
ELEVATION



FLOOR PLAN



Expand your exhibit with additional display accessories and features



Get people talking about you with an Envision exhibit wall! With its big graphic impact in an elegantly contoured edge-to-edge finish, Envision tells passersby that you're a top quality company. Tool-free frame assembly makes set-up fast and easy with pre-installed thumb screws so there are no loose parts to lose. The seamless SEG (silicone edge graphic) fabric-printed panel is lightweight, durable and machine washable.

Size:

10' D x 20' W x 7.8' H

Approximate Weights:

Max Loaded: 450 lb

DIM: 435 lb

Casing:

3 - RollOne Case - 42"x 26" x 22"

Setup Instructions:

- Setup Guide (pdf)
- Setup Video

CUSTOM MODULAR DISPLAYS