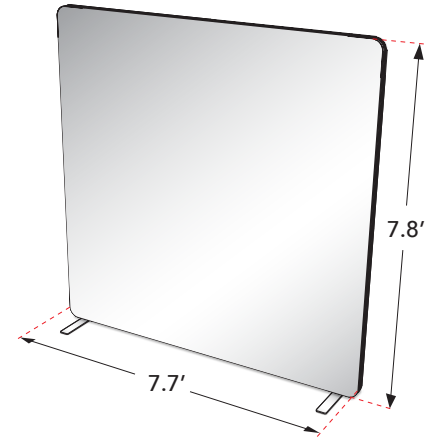


8^{FT} ENVISION - Wall

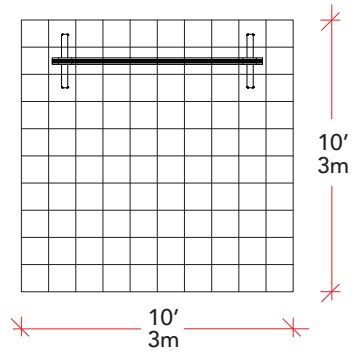
REFERENCE GUIDE



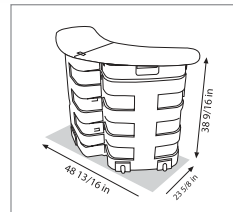
ELEVATION



FLOOR PLAN



*Also available with all Envision displays:
TV Mounts; Placards and Square Corners.



Get people talking about you with an Envision exhibit wall! With its big graphic impact in an elegantly contoured edge-to-edge finish, Envision tells passersby that you're a top quality company.

Size:

2' D x 7.7' W x 7.8' H

Approximate Weights:

Max Loaded: 150 lb

DIM: 145 lb

Casing:

1 - RollOne Case - 42"x 26"x 22"

Setup Instructions:

- Setup Guide (pdf)
- Setup Video

CUSTOM MODULAR DISPLAYS