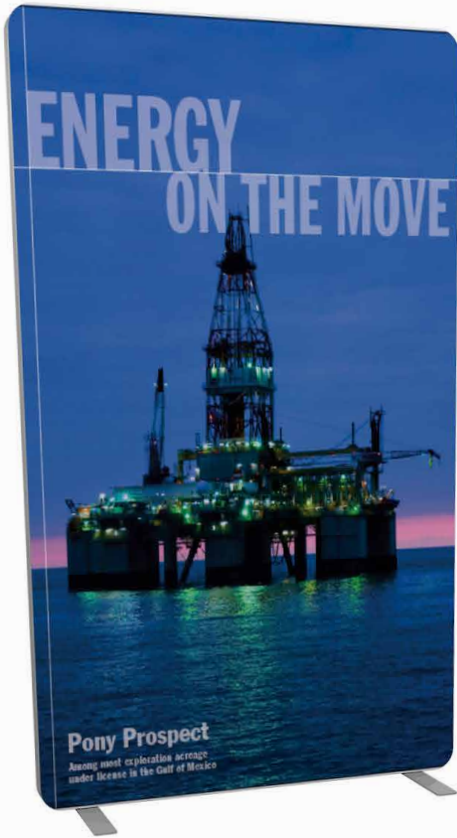
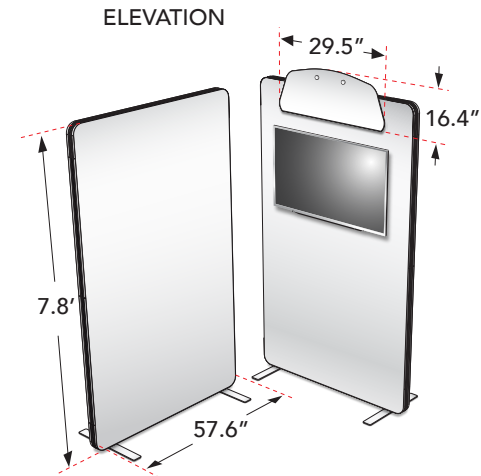


5^{FT} ENVISION - Kiosk

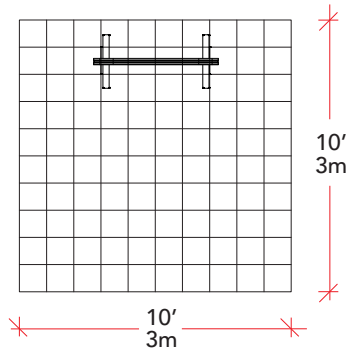
REFERENCE GUIDE



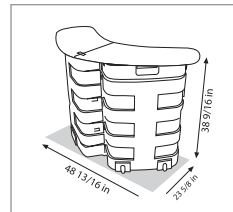
5FT Custom - Kiosk



FLOOR PLAN



*Also available with all Envision displays:
TV Mounts; Placards and Square Corners.



Choose from single or double sided SEG (silicone edge graphic) fabric panels that are lightweight, durable and machine washable. Envision5' kiosks are sturdy enough to support a monitor measuring up to 42". Dimensional signage like headers and fins offer extra real estate for interchangeable messages. Envision kiosks are an elegant addition to your lobby, sales meeting or trade show exhibit.

ENVISION - 5ft Kiosk

Size: 2' D x 2.9' W x 7.8' H

Approximate Weights:

Max Loaded: 150 lb. DIM: 145 lb

ENVISION - 5ft Custom Kiosk

Size: 2' D x 4.8' W x 8.2' H

Approximate Weights:

Max Loaded: 150 lb. DIM: 145 lb

Casing:

1 - RollOne Case - 42" x 26" x 22"

Setup Instructions and Video Available

CUSTOM MODULAR DISPLAYS