

3^{FT} ENVISION - Kiosk

REFERENCE GUIDE

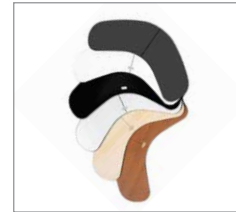
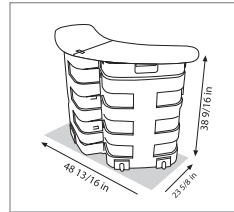
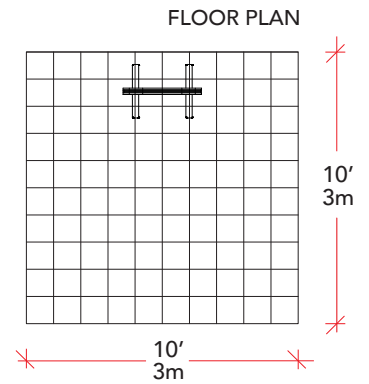
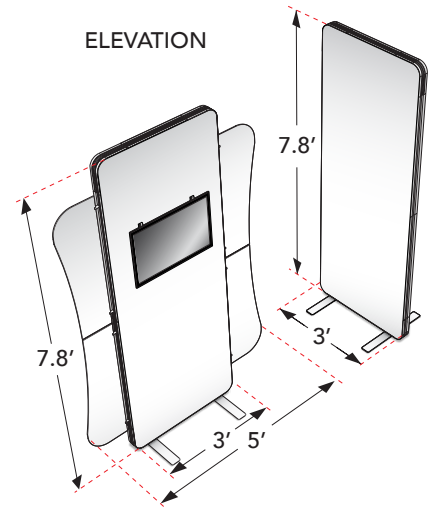


3FT - Kiosk



5FT Custom - Kiosk

*Also available with all Envision displays:
TV Mounts; Placards and Square Corners.



Envision kiosks are an elegant addition to your lobby, sales meeting or trade show exhibit. Choose from single or double sided SEG (silicone edge graphic) fabric panels that are lightweight, durable and machine washable.

ENVISION - 3ft Kiosk

Size: 2' D x 2.9' W x 7.8' H

Approximate Weights:

Max Loaded: 150 lb. DIM: 145 lb

ENVISION - 5ft Custom Kiosk

Size: 2' D x 5' W x 7.8' H

Approximate Weights:

Max Loaded: 150 lb. DIM: 145 lb

Casing:

1 - RollOne Case - 42" x 26" x 22"

Setup Instructions and Video Available

CUSTOM MODULAR DISPLAYS