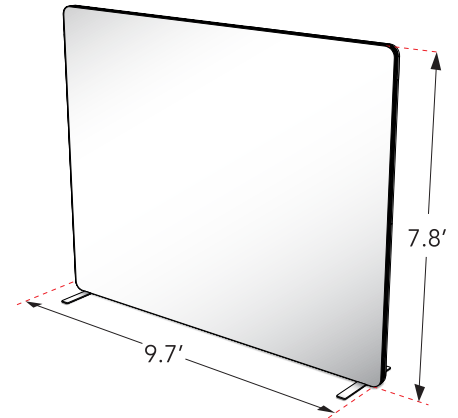


10^{FT} ENVISION - Wall

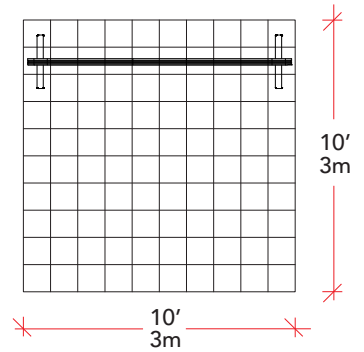
REFERENCE GUIDE



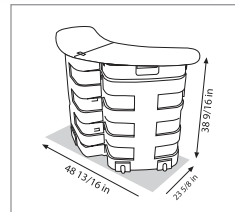
ELEVATION



FLOOR PLAN



*Also available with all Envision displays:
TV Mounts; Placards and Square Corners.



Get people talking about you with an Envision exhibit wall! With its big graphic impact in an elegantly contoured edge-to-edge finish, Envision tells passersby that you're a top quality company. Tool-free frame assembly makes set-up fast and easy with pre-installed thumb screws so there are no loose parts to lose. The seamless SEG (silicone edge graphic) fabric-printed panel is lightweight, durable and machine washable.

Size:

2' D x 9.7' W x 7.8' H

Approximate Weights:

Actual: 97 lb

Max Loaded: 150 lb

DIM: 145 lb

Casing:

1 - RollOne Case - 42" x 26" x 22"

Setup Instructions:

- Setup Guide (pdf)
- Setup Video

CUSTOM MODULAR DISPLAYS