



*Note Choose between open ends, flat or round end caps for all Instand pop-up displays.

Instand - 20ft Pop-up Backwall

- Light weight stand alone aluminum frames
- 19' frame collapses into a compact 26" x 42" case
- Cost-effective presentation graphic mag panels
- Easy, tool-free assembly for a quick 20 minute set-up
- Save time and money on; storage and transportation
- Industry's leading "No Questions Asked" Lifetime Warranty.

AB3022N

Size:

1' D x 20' W x 7.9' H

Approximate Weights:

Max Loaded: 300 lbs

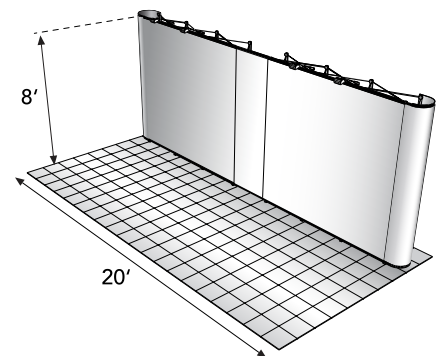
Casing:

2 - RollOne Case - 42" D x 26" W x 22" H

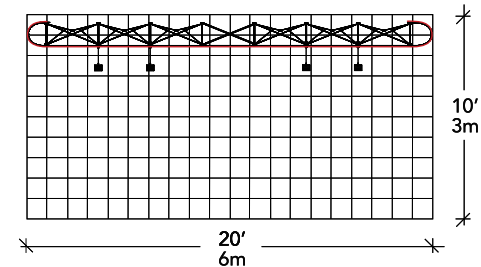
Setup Instructions:

- Setup Guide (pdf)
- Setup Video

ELEVATION



FLOOR PLAN



The 20' Instand® is a budget boosting solution that will save you time and money on: storage, transportation, drayage and set-up. Backed by the industry's best "No Questions Asked" Lifetime Warranty, Instand frames integrate with other Nomadic systems to form distinctive selling environments. Use Instand as a stand alone trade show display or connect it to other Instand frames, Platinum laminate panels or aluminum extrusions. No other custom portable offers you as much display versatility.

