



### **Instand - 20ft** Pop-up Backwall

- *Light weight stand alone aluminum frames*
- *19' frame collapses into a compact 26" x 42" case*
- *Cost-effective presentation graphic mag panels*
- *Easy, tool-free assembly for a quick 20 minute set-up*
- *Save time and money on; storage and transportation*
- *Industry's leading "No Questions Asked" Lifetime Warranty.*

### AB3002N

#### Size:

2.6' D x 20' W x 7.9' H

#### Approximate Weights:

Max Loaded: 219 lbs

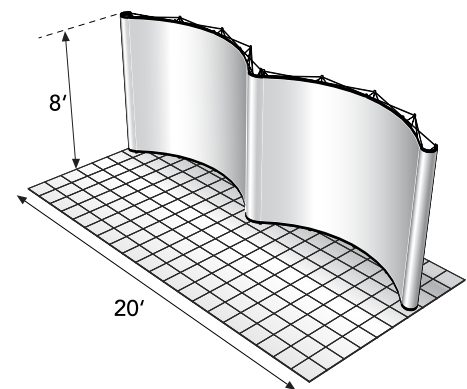
#### Casing:

2 - RollOne Case - 42" D x 26" W x 22" H

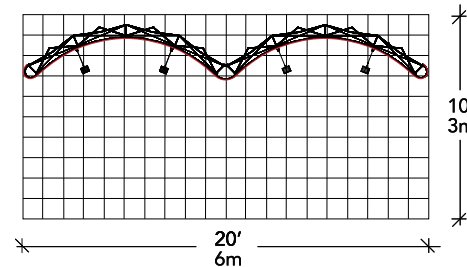
#### Setup Instructions:

- Setup Guide (pdf)
- Setup Video

ELEVATION



FLOOR PLAN



The 20' Instand® is a budget boosting solution that will save you time and money on: storage, transportation, drayage and set-up. Backed by the industry's best "No Questions Asked" Lifetime Warranty, Instand frames integrate with other Nomadic systems to form distinctive selling environments. Use Instand as a stand alone trade show display or connect it to other Instand frames, Platinum laminate panels or aluminum extrusions. No other custom portable offers you as much display versatility.

