



Instand - 10ft Backwall w/LRE

- Light weight stand alone aluminum frames
- Cost-effective presentation graphic mag panels
- Easy, tool-free assembly for a quick 20 minute set-up
- Save time and money on; storage and transportation
- Industry's leading "No Questions Asked" Lifetime Warranty.

AB2010N (w/Large Round Endcaps)

Size:

1.1' D x 9.8' W x 7.9' H

Approximate Weight:

Max Loaded: 150 lb

Casing:

1 - RollOne Case - 42" x 26" x 22"

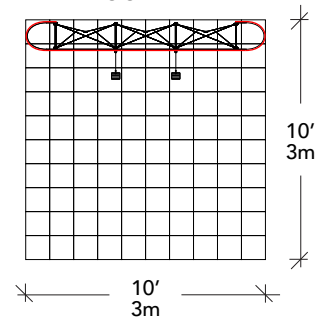
Setup Instructions:

- Setup Guide (pdf)
- Setup Video

CASING



FLOOR PLAN



The Instand® revolutionized the industry by providing a stunning pop up display wall that saves you time and money on storage, transportation, drayage and set-up. This Instand trade show display features vibrant trade show graphics that will grab your audience's attention every time. Exhibitors continue to seek ways to extend their reach without denting their wallet. So power up your trade show display with this affordable 8' pop-up display. You'll love it because of its easy tool free set-up, vibrant trade show graphics and premium LED trade show lighting.

