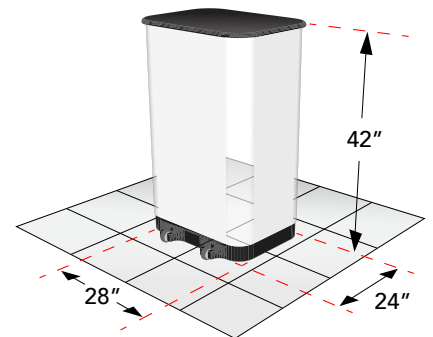


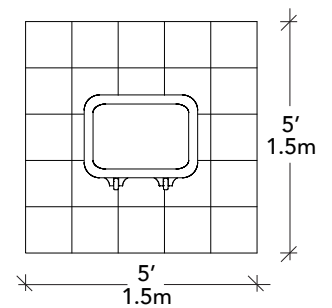


AB0150N

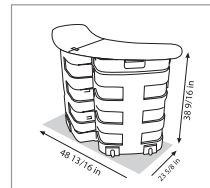
ELEVATION



FLOOR PLAN



Expand your exhibit with additional display accessories and features



Save time at the end of your show by keeping your trade show cases in your booth.

Our RollOne case counter conversion includes a rectangular top in your choice of

laminates and Dye Sub Graphic Cover. Our case to counter conversion kit packs to

conveniently ship in the same trade show case with your display, graphics and lights.

Size:

24" D x 28" W x 44" H

Approximate Weights:

Max Loaded: 150 lb

DIM: 145 lb

Casing:

1 - RollOne Case - 42" x 26" x 22"

Setup Instructions:

- Setup Guide (pdf)
- Setup Video

CUSTOM MODULAR DISPLAYS